



**IPC Integrated Professional Cleaning**

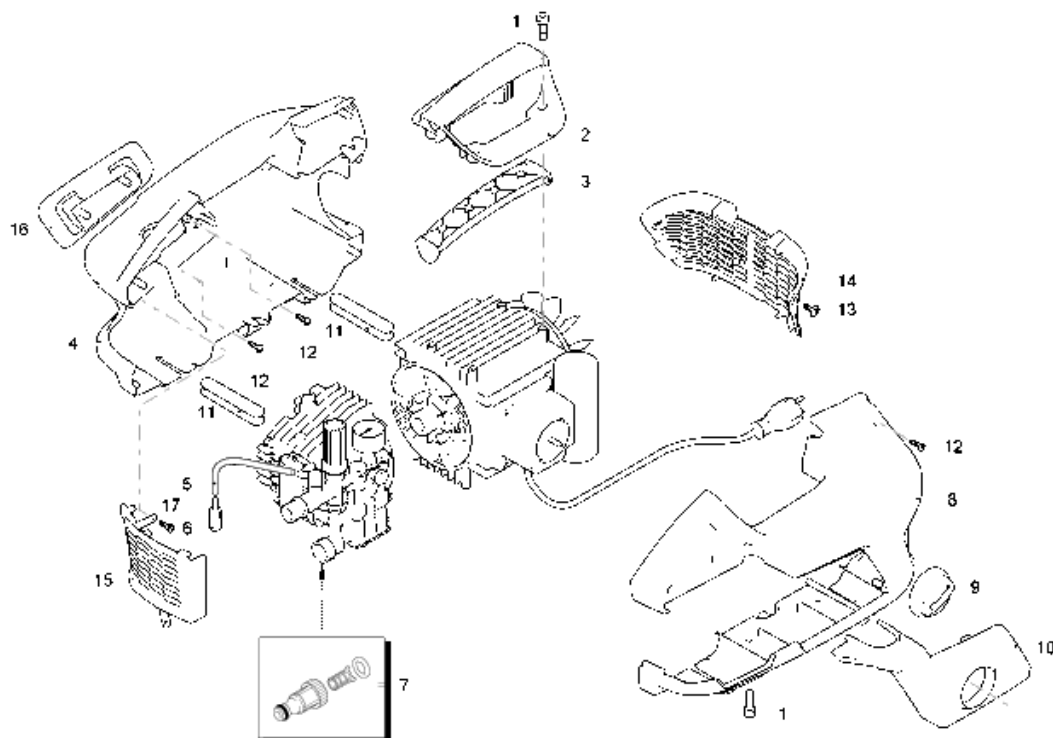
**IPC** Portotecnica

## Spare Parts List

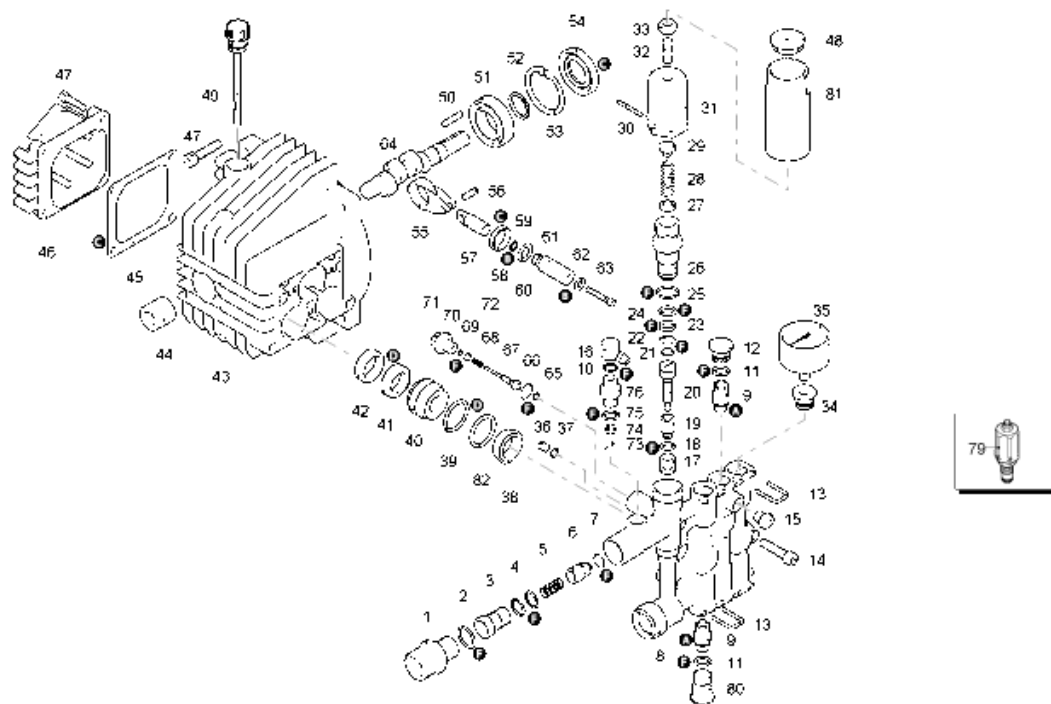
PORTOTECNICA

Ref: IDAF94369

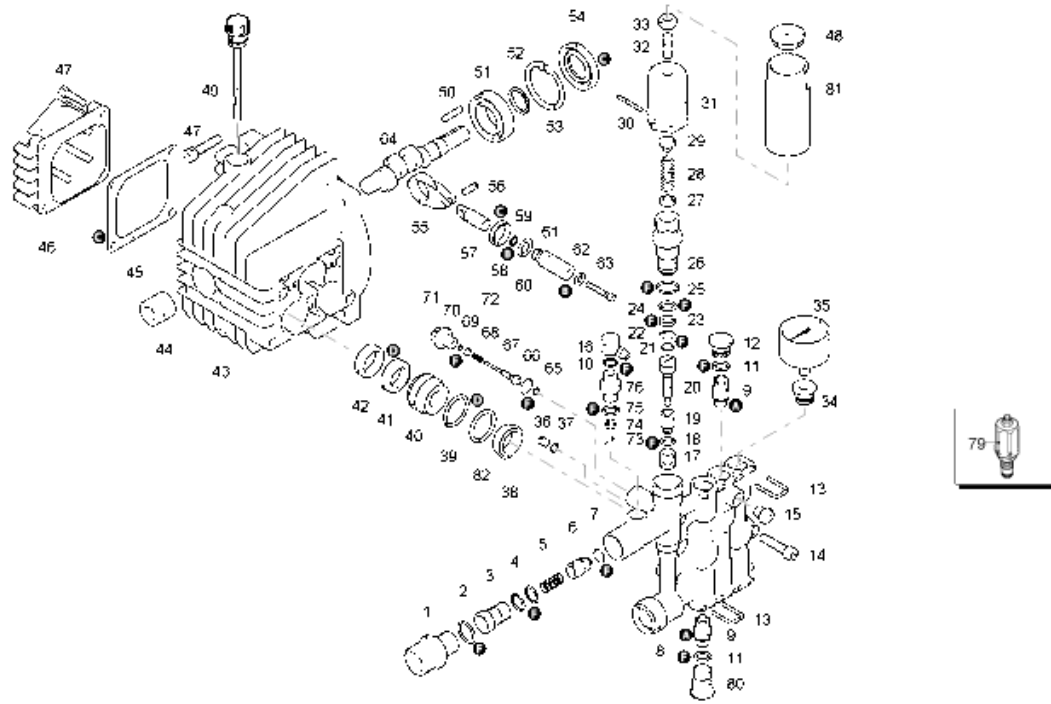
Model: IDROP PW-C21 150/ 9 M 230/50 3-09DBO



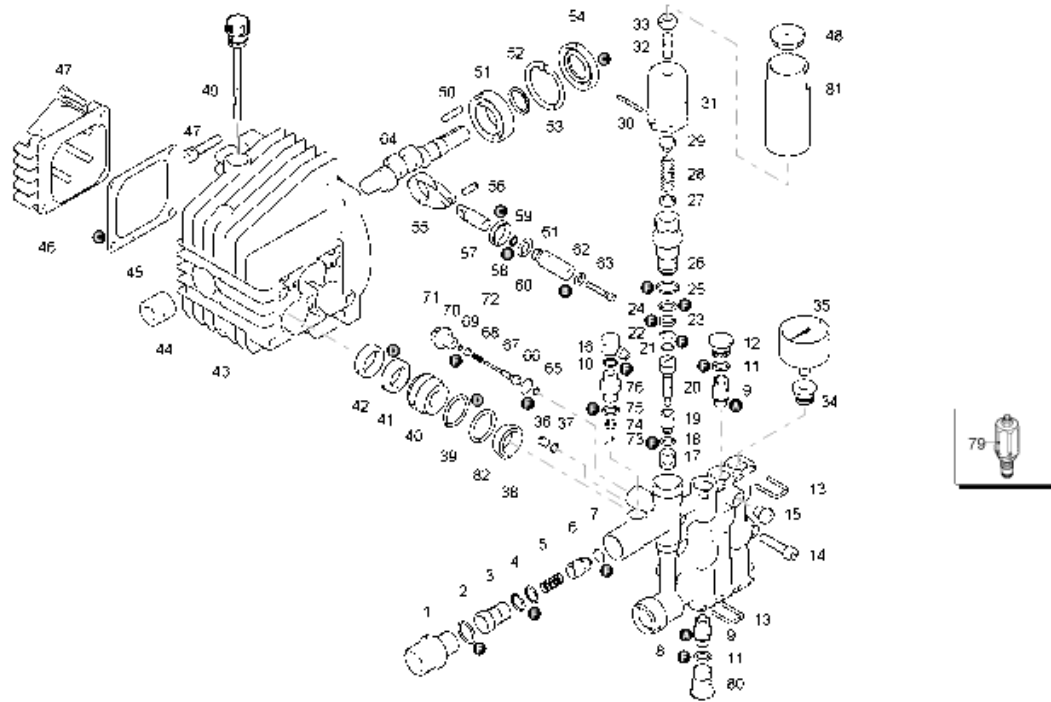
Ref. K	Part N.	Customer Part N.	Description	Qty	Validity:		Price
					From	To	
0001	VTVT01115		SCREW TCEI 6X18	8,00			--
0002	MPVR40862		HANDLE PW-C21 GR.	1,00			--
0003	MPVR40863		COVER PW-C21	1,00			--
0004	MPVR40864		COVER PW-C21 L.DX V.368	1,00			--
0005	TBBP93804		L.P. HOSE D. 6- 9	1,00			--
0006	FTDT04648		FILTER PG. D.6 PLS	1,00			--
0007	RCVR40103		SOCKET C10 3/4 F +FILT.	1,00			--
0008	MPVR40865		COVER PW-C21 L.SX V.368	1,00			--
0009	MPVR40866		SWITCH KNOB PW-C21	1,00			--
0010	MPVR40867		COVER PW-C21 GR.	1,00			--
0011	MPVR40868		RUBBER FOOT PW-C21	2,00			--
0012	VTVT40036		SCREW AF TCB-TC 5 X16 PZ/TA ZN	10,00			--
0013	VTVT40011		SCREW AF TCB-TC 5 X16 TL	2,00			--
0014	MPVR40869		BRACKET PW-C21 GR.	1,00			--
0015	MPVR40870		BRACKET PW-C21 GR.	1,00			--
0016	MPVR40871		CABLE SUPPORT PW-C21 GR.	1,00			--
0017	VTVT07945		SCREW TCB T-C 3,9X 9,5	1,00			--



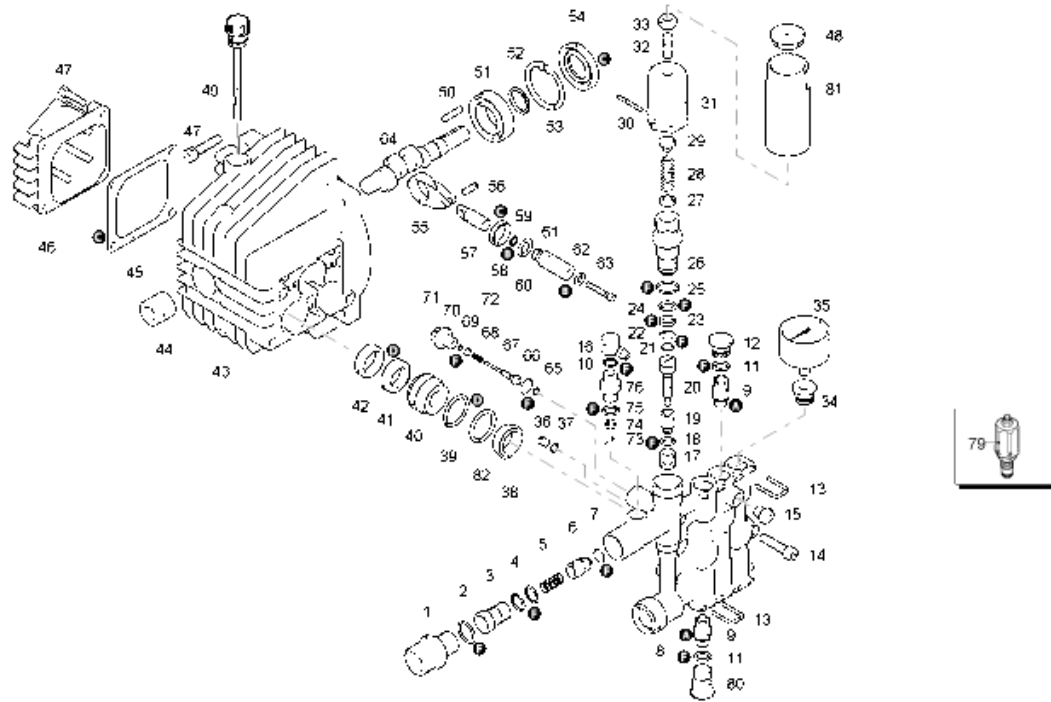
Ref.	K	Part N.	Customer Part N.	Description	Qty	Validity:		Price
						From	To	
0001		PVVR40530		CONNECTOR AR HPV G3/8-M22	1,00			--
0002	S	GUGO09720		O-RING D. 14 X 1.78 NBR 70SH	1,00			--
0003		PVVR40359		INJECTOR G151	1,00			--
0004	S	GUGO63403		O-RING D. 8.73 X 1.78 NBR 70SH	2,00			--
0005		MLML40034		SPRING BY PASS	1,00			--
0006		PVVR40091		COUPLING AR HRM	1,00			--
0007	S	GUGO12494		O-RING D. 4 X 2.5 -NBR 70SH	1,00			--
0008		MFVR40084		HEAD AR HPV OTT.	1,00			--
0009	S	VVAM40011		VALVE UNIT HPV	6,00			--
0010	S	GUGO03500		O-RING D. 6.75 X 1.78 NBR 70SH	1,00			--
0011	S	GUGO03496		O-RING D. 9.25 X 1.78 NBR 70SH	6,00			--
0012		PVVR40536		CAP AR HPV	2,00			--
0013		LAFN40982		PLUG "U" AR HPV	6,00			--
0014		VTVT01116		SCREW TCEI 6X30 UNI5931	4,00			--
0015		RCDS19214		CAP 1/8 M	1,00			--
0016		PVVR40426		HOSE FITTING VALVOLA VRZ	1,00			--
0017		PVVR40526		VALVE SEAT AR HPV	1,00			--
0018	S	GUGO06988		O-RING D. 7.66 X 1.78 NBR 70SH	1,00			--
0019		PVVR40527		PISTON AR HPV	1,00			--
0020		PVVR40316		PISTON AR	1,00			--
0021	S	GUGO19189		O-RING D. 2.90 X 1.78 NBR 70SH	1,00			--
0022	S	GUGO06988		O-RING D. 7.66 X 1.78 NBR 70SH	1,00			--
0023	S	GUVR40026		ANTI-EXTR.RING D. 8	1,00			--
0024	S	GUGO01036		O-RING D. 10.82 X 1.78 NBR 70SH	1,00			--
0025	S	GUGO09720		O-RING D. 14 X 1.78 NBR 70SH	1,00			--
0026		PVVR40528		PISTON GUIDE AR HPV	1,00			--
0027		PVVR40313		CAP AR	1,00			--
0028		PVVR40305		SPRING AR	1,00			--
0029		PVVR40067		SPRING PLATE AR XJS	1,00			--
0030		VTVR19193		PLUG D. 2.5X10	1,00			--
0031		PVVR40529		INSERT AR HPV	1,00			--
0032		VTVT19524		SCREW EI-ST 6X16 UNI 5923	1,00			--
0033		PVVR40292		NUT AR	1,00			--
0034		PVVR40537		CAP AR HPV + FORO 1/8G	1,00			--
0035		MNMN40019		PRESSURE GAUGE AR HPV	1,00			--
0036		PVVR40539		CAP D. 5 HPV	1,00			--
0037		GUGO40038		O-RING D. 5 X 2 NBR 70SH	1,00			--
0038		GUVR40041		PACKING D. 15 RCS L.P.	3,00			--
0039	S	GUGO19290		O-RING D. 23.52 X 1.78 NBR 70SH	3,00			--



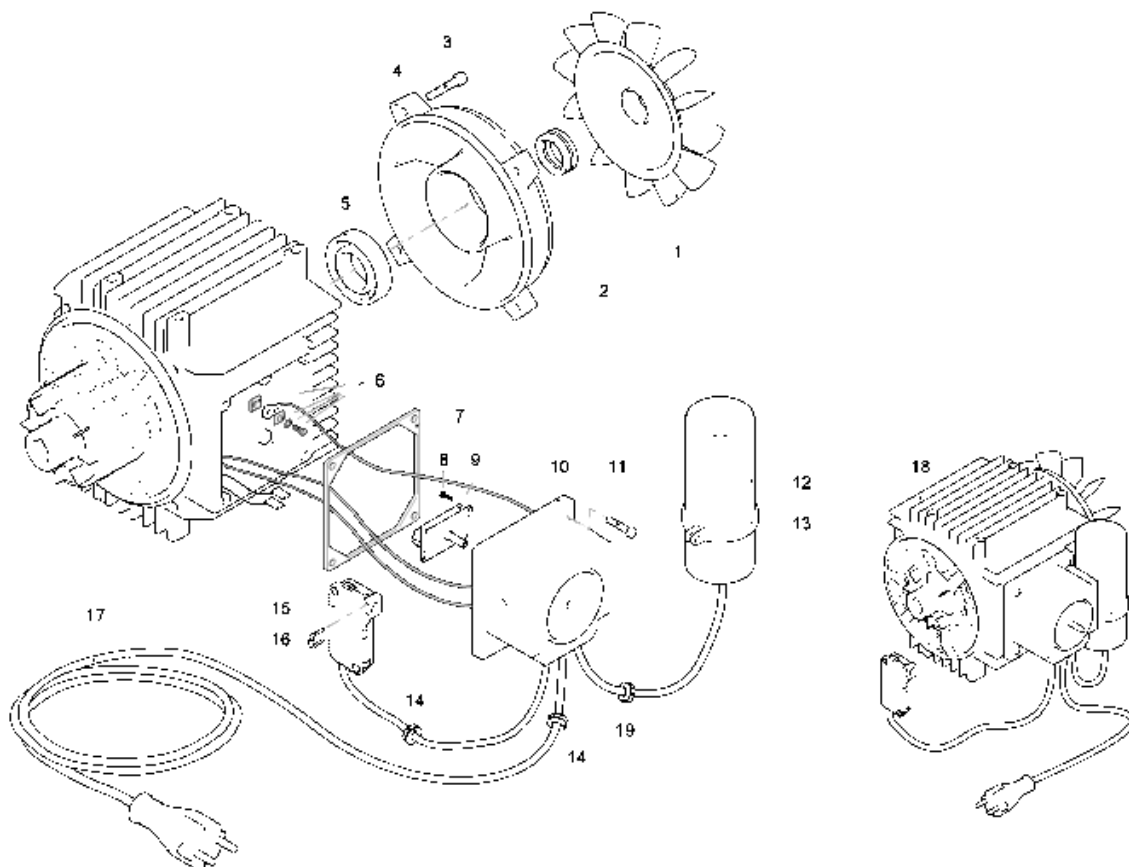
Ref.	K	Part N.	Customer Part N.	Description	Qty	Validity:		Price
						From	To	
0040		PVVR40531		PISTON GUIDE S.HPV	3,00			--
0041	S	GUVR19224		GASKET D. 15 XTS I	3,00			--
0042	S	GUVR40112		OIL SEAL AR HPV	3,00			--
0043		PVVR40290		PUMP CRANKCASE AR	1,00			--
0044		PVVR40532		BUSHING AR HPV	1,00			--
0045	S	GUGO40041		O-RING D. 56 X 2 NBR 70SH	1,00			--
0046		PVVR40288		COVER AR	1,00			--
0047		VTVT63024		SCREW TCEI M 5X 25 ZC UNI 5931	8,00			--
0048		MPVR40163		CAP AR XJS	1,00			--
0049		PVVR40268		OIL CAP AR VIP	1,00			--
0051		CUVR40016		BEARING AR	1,00			--
0052		PVVR40310		RING AR	1,00			--
0053		PVVR40309		RING AR	1,00			--
0054		GUVR40069		PACKING AR	1,00			--
0055		BLVR40007		CONNECTING ROD AR	3,00			--
0056		PVVR40322		PLUG AR	3,00			--
0057		PVVR40279		ROD AR	3,00			--
0058	S	GUGO09690		OIL SEAL 15X 24X 5 NBR70	3,00			--
0059	S	GUGO06988		O-RING D. 7.66 X 1.78 NBR 70SH	3,00			--
0060	S	PVVR40293		DISC AR	3,00			--
0061	S	PIVR40013		PISTON S.610	3,00			--
0062	S	VTRS13945		WASHER D. 6X18 INX UNI 6593	3,00			--
0063		VTVT15912		SCREW TCEI M 6X35 UNI 5931 INX	3,00			--
0064		ALMO40032		SHAFT AR "clean 610"	1,00			--
0065	S	GUGO01062		O-RING D. 3.69 X 1.78 NBR 70SH	1,00			--
0066		GUGO06988		O-RING D. 7.66 X 1.78 NBR 70SH	1,00			--
0067		PVVR40533		ROD AR HPV	1,00			--
0068		MLML40046		SPRING AR HPV	1,00			--
0069		PVVR40430		WASHER VALVOLA VRZ	1,00			--
0070	S	GUGO40045		O-RING D. 1.78 X 1.78 NBR 70SH	1,00			--
0071		PVVR40534		ROD GUIDE AR HPV	1,00			--
0072		KTRI40464		KIT P 10-42580 TSS HPV	1,00			--
0073		MLML40008		SPRING D. 4	1,00			--
0074		SFVR04274		BALL D. 7/32	1,00			--
0075	S	GUGO08071		O-RING D. 4.48 X 1.78 NBR 70SH	1,00			--
0076		PVVR40435		CONNECTOR VALVOLA VRZ	1,00			--
0079		KTRI40459		KIT P 14-42690 HPV	1,00			--
0080		PVVR40535		CAP AR HPV	3,00			--
0081		MPVR40162		KNOB AR XJS	1,00			--



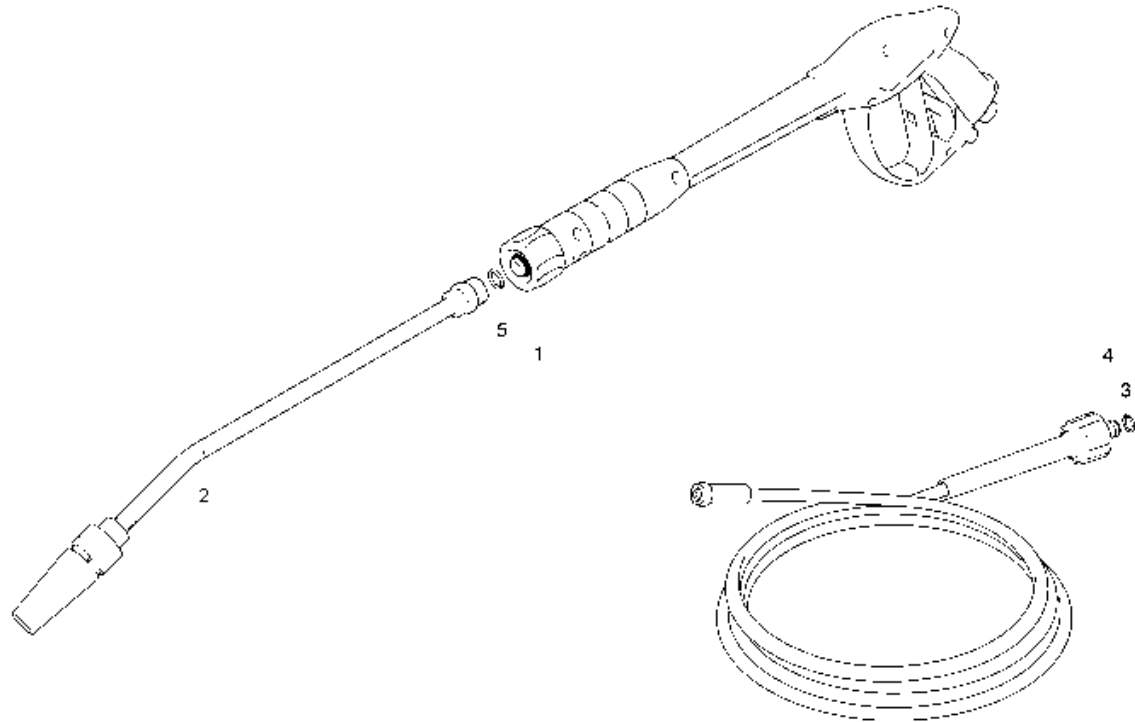
Ref.	K	Part N.	Customer Part N.	Description	Qty	Validity:		Price
						From	To	
0082	S	GUVR40042		ANTI-EXTR.RING D.15	1,00			--



Ref. Part N.	Cust. Part N.	Description	Reference	Price
A	KTRI40460	KIT P 15-43032 HPV	0009	--
B	KTRI40198	KIT P 15-2623 S.134 100B.	0059 0060 0061 0062	--
C	KTRI40461	KIT P 15-42696 HPV	0045 0058	--
D	KTRI40462	KIT P 15-43033 HPV	0039 0041 0042 0082	--
F	KTRI40463	KIT P 15-42697 SET O-RING HPV	0002 0004 0007 0010 0011 0018 0021 0022 0023 0024 0025 0065 0070 0075	--



Ref.	K	Part N.	Customer Part N.	Description	Qty	Validity:		Price
						From	To	
0001		VEVR40009		MOTOR FAN FB 80 D.19	1,00			--
0002		LAFN40983		RING AR HPV	1,00			--
0004		MFVR40054		SHIELD AR	1,00			--
0005		CUVR40015		BEARING AR	1,00			--
0006		PVVR40307		CLAMP AR	1,00			--
0007		GUVR40063		GASKET AR	1,00			--
0008		VTVT07857		SCREW TCB-TC 3.5X 9.5 UNI6954	2,00			--
0009		MECI40042		SWITCH AR HPV	1,00			--
0010		MPVR40872		BOX AR HPV	1,00			--
0011		VTVT01516		SCREW TCB TC 3.9X16	4,00			--
0012		MECO40026		CAPACITOR AR HPV	1,00			--
0013		MEVR40192		CLAMP AR HPV	1,00			--
0014		MEVR40193		FAIR-LEAD AR HPV	2,00			--
0015		MEPF40038		PRESSURE SWITCHAR TSS 230V HPV	1,00			--
0016		LAFN40212		PLUG "U" AR TSS	1,00			--
0017		MECB40375		CABLE AR HPV	1,00			--
0018		MOMO40067		1PH MOTOR ARHPV KW 1.7 230-50 AR	1,00			--
0019		MEVR40176		FAIR-LEAD HRM-H28	1,00			--



Ref.	K	Part N.	Customer Part N.	Description	Qty	Validity:		Price
						From	To	
0001		IPIP40009		GUN BIT-334 1/4M / M22X1,5 AR	1,00			--
0002		LCPR40152		LANCE M.REG P 400 +M22 D.1,05 B	1,00			--
0003		GUGO40040		O-RING D. 10 X 2 POL.90SH	1,00			--
0004		TBAP40210		H.P. HOSE SAE MT 8 1/4 -1IRV	1,00			--
0005		GUGO28927		O-RING D. 9.13 X 2.62 NBR 70SH	1,00			--